



 **BENNETTS**

A Guide to Timber Cladding

www.timbercladding.net



WESTERN RED CEDAR (*Thuja plicata*)-

High resistance to decay, one of the most naturally durable coniferous species available. The rich warm colours and texture and natural preservatives in Cedar ensure an attractive material that will last; left in its natural state it will turn silvery grey when exposed to the external elements. Where required material can be stained with Sikken's or similar products.



SIBERIAN LARCH (*Larix siberica*)

High density softwood, extremely durable up to 50-100yrs unprotected external use- naturally durable softwood does not need potentially harmful preservative treatments. Colour varies from light yellow to orange/golden brown in the heartwood. Siberian Larch is a competitive priced alternative to Western Red Cedar.



THERMOWOOD

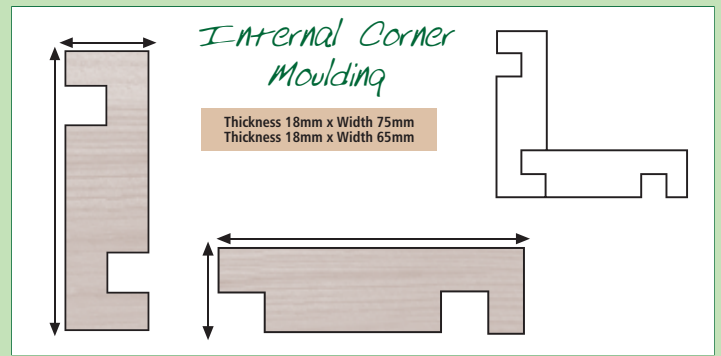
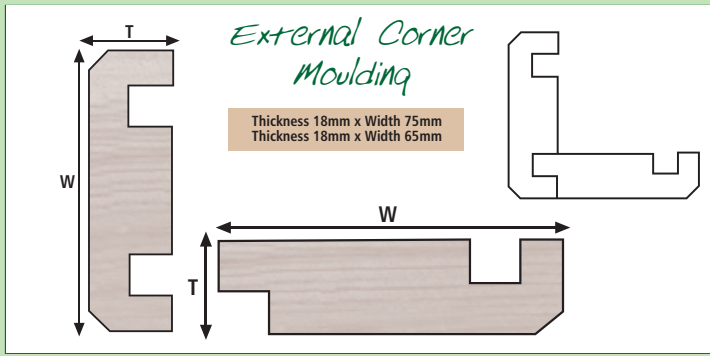
Produced by heat treating Finnish European Redwood (Red Pine) to temperatures in excess of 200 degrees centigrade. During the treatment, chemical and structural changes occur within the timber which alter and improve some of the basic characteristics. The resulting product is an altogether more durable and stable timber, ideal material for use in exposed areas such as external wall claddings.



CUMARU

High density Brazilian Hardwood-extremely durable can be used for claddings or lock gates etc! Heartwood yellow brown to reddish brown often with darker (red veins).

Corner Moulding

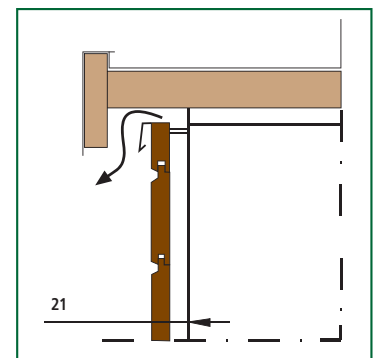
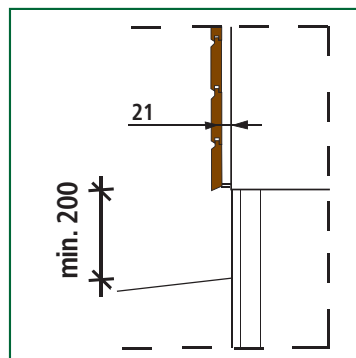


Pre stained Cladding



Any colour available, please contact the sales team for further information. Call 01472 350151

*Upper edge
and lower
edge details*



Fixing

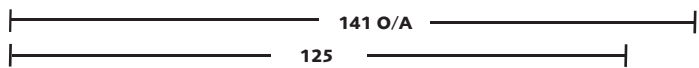
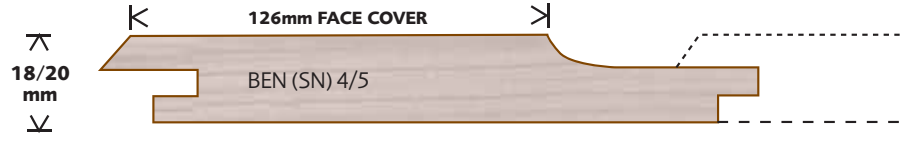
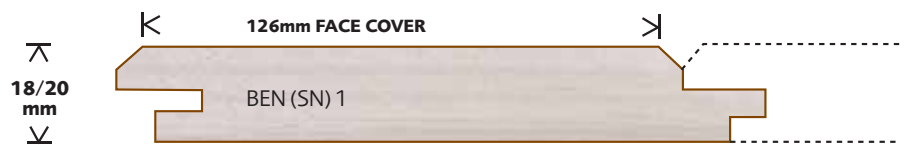
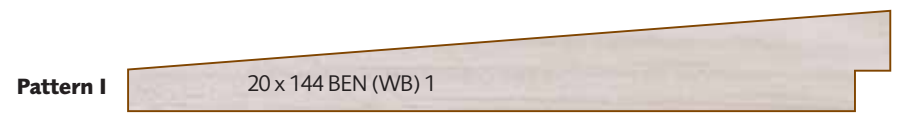
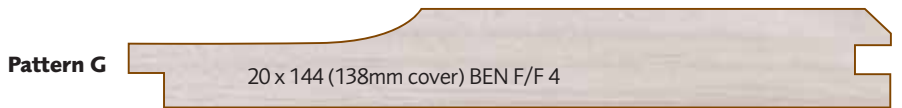
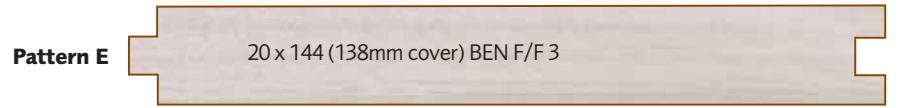
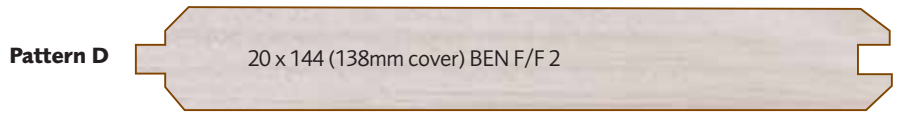
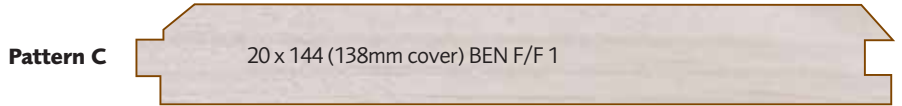
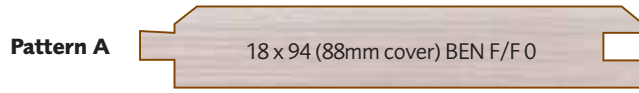
Treated Battens should be at least 1.5 times the thickness of the cladding board when using standard nails. If using annular ring shank nails or screws the battens can be the same thickness as the cladding board.

Nails/screws used for Western Red Cedar should be stainless steel or silicon bronze as the acidic nature of the wood can cause staining when in contact with iron-based materials. Hardwood cladding should be fixed to battens using screws.

Moisture Control

If the main structure is not masonry a separate impermeable membrane is required behind the cladding. A cavity of at least 19mm is required behind the boards to allow adequate ventilation and drainage.

Specialist Cladding





Western Red Cedar - Basingstoke



Siberian Larch - Gainsborough



Cedar - National Food Centre - Holbeach, Lincs



Larch - First Zero Carbon Tesco Store - Ramsey



Cedar - National Food Centre - Holbeach



Eco House - Falmouth



Larch, The Link Keepmoat - Scunthorpe



Cedar, KP Golf Club & Resort - North Yorkshire



Cedar Pagoda - Hitchin



Cumaru decking - Hull

Profiles

In addition to the standard range of profiles we can machine to order any non standard profile including window trim etc. to the customers detailed requirements, in any commercially available timber species.

Manufactured Panels

We are able to offer bespoke joinery and a panel fabrication service.

Fire Treatments

Dricon-Fire Retardant timbers for interior and weather protected exterior applications. Non-Com Exterior-Fire Retardant treated timbers for exterior and severe damp applications.

Specialist Coatings

High performance/high durability water borne stains, factory applied prior to site delivery – Sikken / Sadolin / Ronseal / Technos products.

Technical Information

Technical data sheets available upon request.



BENNETTS TIMBER

Estate Road No 6. South Humberside Industrial Estate
Grimsby, North East Lincolnshire DN31 2TG

Telephone 01472 350151

Fax 01472 250053

Email sales@bennettstimber.co.uk

Web www.bennettstimber.co.uk

